

Till-Ease

48", 60" & 72" CULTIPACKER



Standard Pull Type
Base Unit



With 3-Point Kit



With Wheel Kit

OWNER'S MANUAL

With Assembly Instructions
For Model: TP2148, TP2760 & TP3272

KUNZ ENGINEERING, INC. / MENDOTA, IL 61342 / PH (815) 539-6954



1/18



WARNING

Read & understand
operators manual before
using this machine.
Failure to follow operating
instructions could result
in death or serious injury.

SAFETY INTRODUCTION

Your safety, and the safety of others, is very important. To help you make informed decisions about safety, we have provided operating procedures and other information in this manual. This information alerts you to potential hazards that could hurt you or others.



This safety alert symbol is used to indicate safety instructions. Follow these instructions to avoid personal injury and/or property damage. Read and follow all instructions in this manual and the included engine manual.

You will find important safety information in the following form:

Safety Messages – preceded by a safety alert symbol  and one of three signal words: **DANGER, WARNING, or CAUTION.**

These signal words mean:



DANGER: Indicates an imminently hazardous situation that, if not avoided, will result in death or serious injury. This signal word is to be limited to the most extreme situations typically for machine components which, for functional purposes, cannot be guarded.



WARNING: Indicates a potentially hazardous situation that, if not avoided, could result in death or serious injury, and includes hazards that are exposed when guards are removed. It may also be used to alert against unsafe practices.



CAUTION: Indicates a potentially hazardous situation that, if not avoided, may result in minor or moderate injury. It may also be used to alert against unsafe practices.

This entire manual is filled with important safety information. Please read it carefully.

IMPORTANT SAFETY INFORMATION



CAUTION: Do not allow anyone to operate this equipment who has not fully read and comprehended the safety manual and who has not been properly trained in the safe operation of the equipment.



CAUTION: Operator should be familiar with all functions of the unit.



WARNING: Keep bystander clear while operating equipment.



WARNING: Do not allow riders.



CAUTION: Safely support and secure implement before making repairs.



CAUTION: Do not stand or climb on equipment.



WARNING: Follow all safety precautions outlined by the manufacturer of the tow vehicle being used to pull this product.

This entire manual is filled with important safety information. Please read it carefully.

ASSEMBLY INSTRUCTIONS

Read the complete assembly instructions before starting the assembly.

You should have:

- one cultipacker assembly
- one wheel kit (optional)
- one 3-point kit (optional)

The standard pull type Model TP2148, TP2760 and TP3272 Cultipackers are fully assembled and ready for use after uncrating. If the optional wheel kit was purchased with the cultipacker please see Section A for assembly instructions. If the optional 3-point kit was purchased with the cultipacker please see Section B for assembly instructions.



CAUTION: Removing the cultipacker from the crate should be performed with caution. Care should be taken to prevent back injuries or other lifting related injuries.

A. ASSEMBLY OF OPTIONAL WHEEL KIT (See Figure 1)

1. Remove the 5/8" nut and lock washer from each wheel assembly. All other hardware should stay on the wheel assembly in the order that is shown in Figure 1.
2. Insert the end of the wheel assembly bolt through the cultipacker frame and install and securely fasten the 5/8" nut and lock washer that was removed in Step 1.

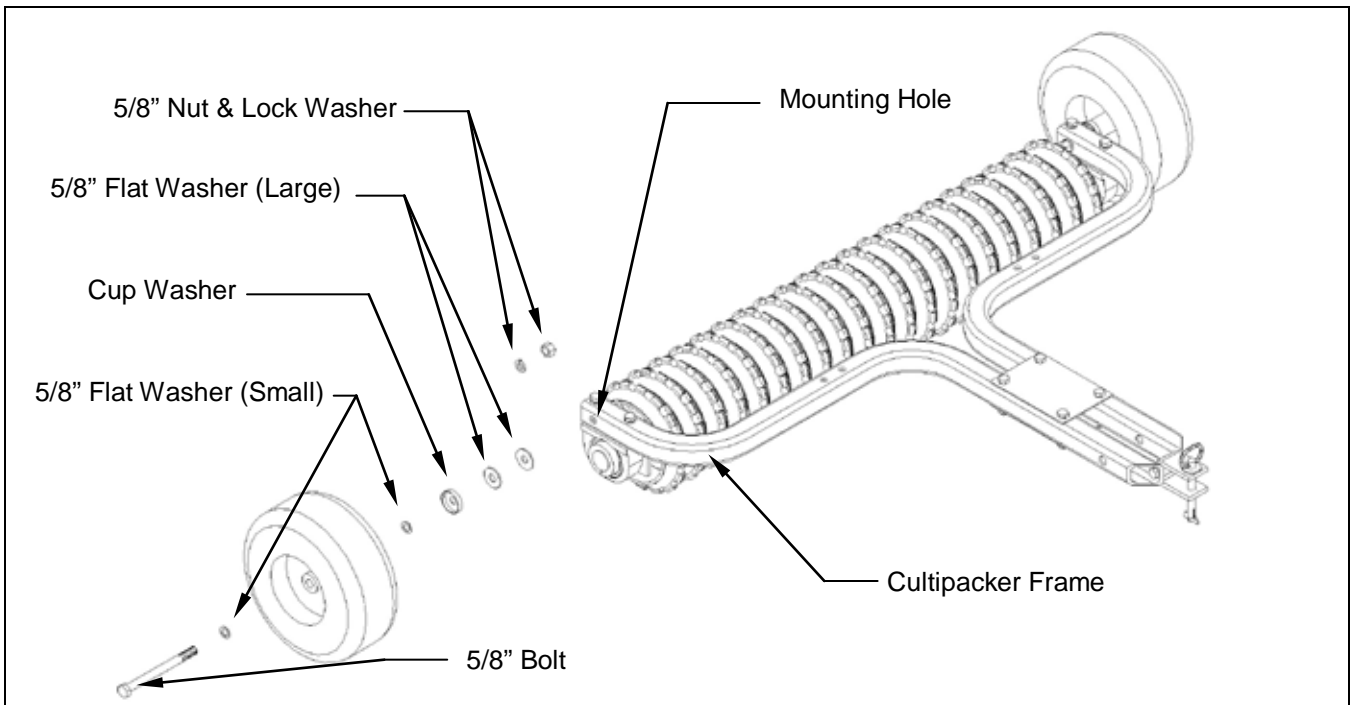


Figure 1. – Wheel Kit Assembly

B. ASSEMBLY OF OPTIONAL 3-POINT KIT (See Figure 2)

1. Remove the two 1/2" nuts, lock washers and bolts from each lower 3-point pin bracket.
2. Install each lower 3-point pin bracket on the cultipacker frame as shown in Figure 2. Fasten securely with the 1/2" nuts, lock washers and bolts that were removed in Step 1.

Note: The lower 3-point pins are mounted in the lower hole from the factory. This position is for use with standard 3-point systems. The upper hole on the 3-point pin bracket can be used to accommodate quick hitch systems. The 3-point pins can be moved to the alternate position by simply removing the nut, lock washer and flat washers and securely fastening them in the alternate location.

3. Install the upper top link pin.

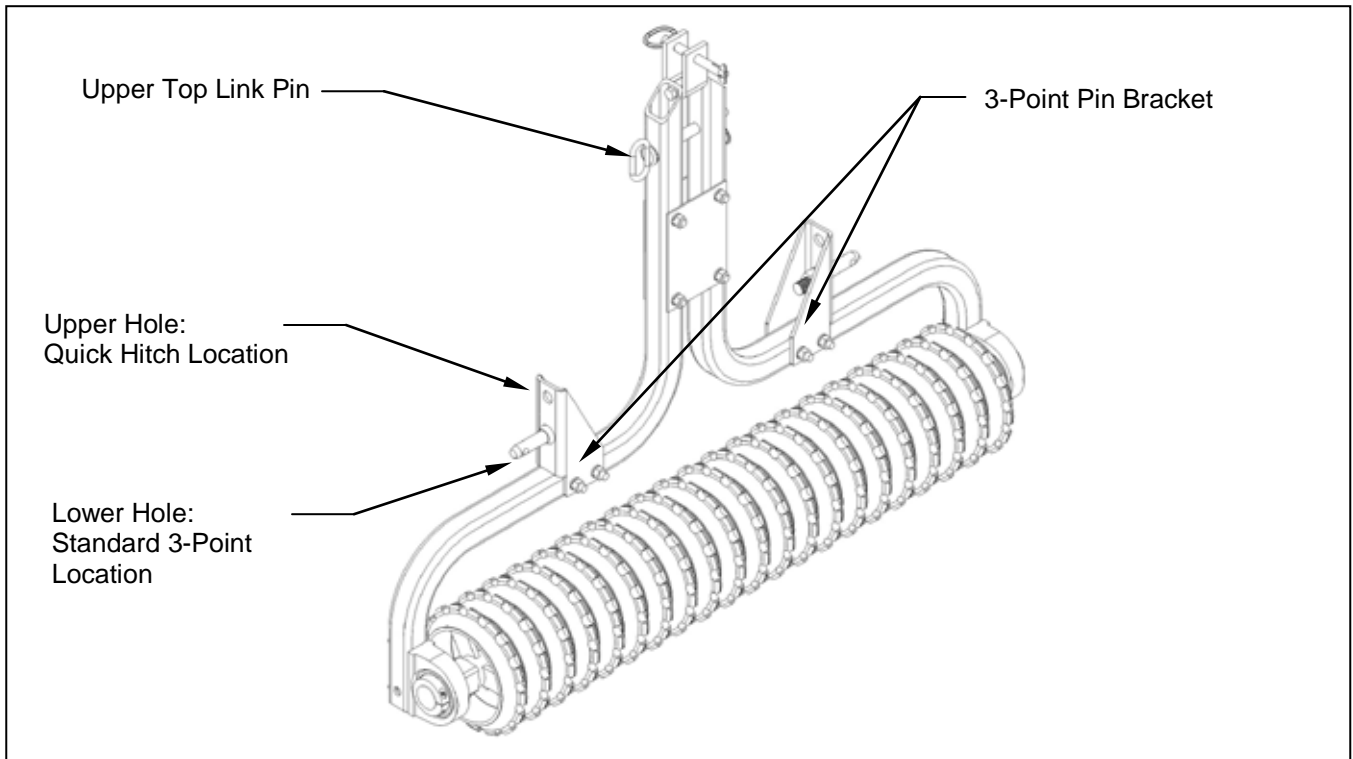


Figure 2. – Assembly of 3-Point Kit

OPERATIONS AND MAINTENANCE



This safety alert symbol is used to indicate safety instructions. Follow these instructions to avoid personal injury and/or property damage. Read and follow all instructions in this manual.



CAUTION: Do not allow anyone to operate this equipment who has not fully read and comprehended the safety manual and who has not been properly trained in the safe operation of the equipment.



CAUTION: Operator should be familiar with all functions of the unit.



WARNING: Keep bystander clear while operating equipment.



WARNING: Do not allow riders.



CAUTION: Safely support and secure implement before making repairs.



CAUTION: Do not stand or climb on equipment.

A. USING THE TOOL

The Model TP2148, TP2760 & TP3272 have been designed to be a standard pull type cultipacker with the ability to have optional kits installed for use on multiple vehicles.

Note: Transporting this cultipacker on hard road type surfaces can result in excessive packer wheel wear or possible packer wheel damage.

With the optional wheel kit installed this cultipacker has been designed to be flipped over on tires for ease in transport.



CAUTION: Care should be taken when flipping the cultipacker over for either use or transport. Place one foot on the packer wheels and securely hold when flipping. Improper flipping can result in bodily injury and/or property damage.

With the optional 3-point kit installed this cultipacker has been designed to work on Category 1 standard 3-point and quick hitch systems.



CAUTION: Care should be taken when either mounting or removing the cultipacker from a 3-point system. Securely support the cultipacker to prevent bodily injury and or property damage.

Note: If both the wheel kit and 3-point kit were purchased, it will be necessary to remove the wheel kit before operating the cultipacker on a 3-point hitch mount.

For best results it may be necessary to pack the soil before seeding and then pack the soil a second time after seeding. This is especially true with small seeds that require shallow seeding.

B. MAINTENANCE

There are two grease points on the cultipacker. There is a bearing on each end of the packer wheel shaft. It is recommended that these bearings be greased at least every 4 hours. In dusty conditions more frequent greasing may be necessary.

MODEL TP2148, TP2760 & TP3272 PARTS LIST

<u>Item</u>	<u>Part #</u>	<u>Description</u>	<u>Quantity</u>
1	214021	Cup Washer - (Wheel Kit Only)	2
2	216012	Tension Lock Pin (5/8" Dia. x 3-1/2" Long)	1
3	216015	Lift Arm Pin (7/8" Dia. X 5-1/2" Long) - (3-Point Kit Only)	2
4	216016	Fixed Handle Hitch Pin (3/4" Dia. X 7-1/4" Long) - (3-Point Kit Only)	1
5	222013	Single Split Collar (1.75" I.D. x .69" Thick)	2
6	226001	Offset Wheel Assy., Pneumatic Turf Tread 2 Ply (13/500 x 6) - (Wheel Kit Only)	2
	243007	Wheel Bearing-Precision Sealed (1-3/8" O.D. x 5/8" I.D.)	2
	600283	Wheel Bearing Spacer	1
7	243012	Tapped Pillow Block Bearing (45mm Bore)	2
8	259007	Packer Wheel (1-3/4" Shaft, 9-1/2" Dia.) - Model TP2148	21
8	259007	Packer Wheel (1-3/4" Shaft, 9-1/2" Dia.) - Model TP2760	27
8	259007	Packer Wheel (1-3/4" Shaft, 9-1/2" Dia.) - Model TP3272	32
9	275018	Till-Ease Name Decal	2
9	275019	Kunz Decal	2
10	500053	3-Point Bracket - (3-Point Kit Only)	2
11	500054	Connector Plate	2
12	500055	Cultipacker Frame - Model TP3272	2
12	500058	Cultipacker Frame - Model TP2148	2
12	500061	Cultipacker Frame - Model TP2760	2
13	500056	Shaft - Model TP3272	1
13	500059	Shaft - Model TP2148	1
13	500062	Shaft - Model TP2760	1
14	500057	Spacer	2
15	800018	Tongue Clevis	1

MODEL TP2148, TP2760 & TP3272 PARTS

