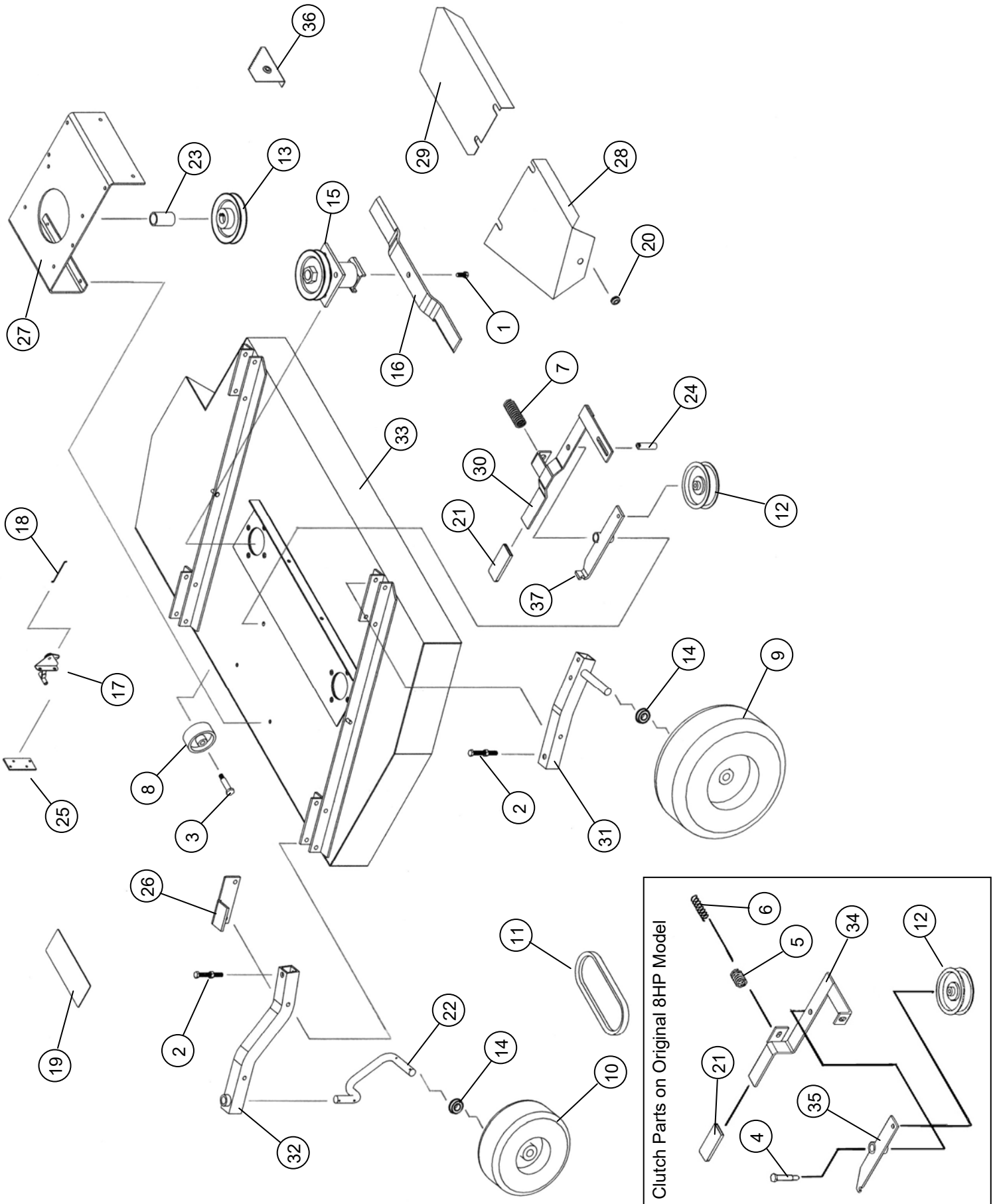


# MODEL H40B

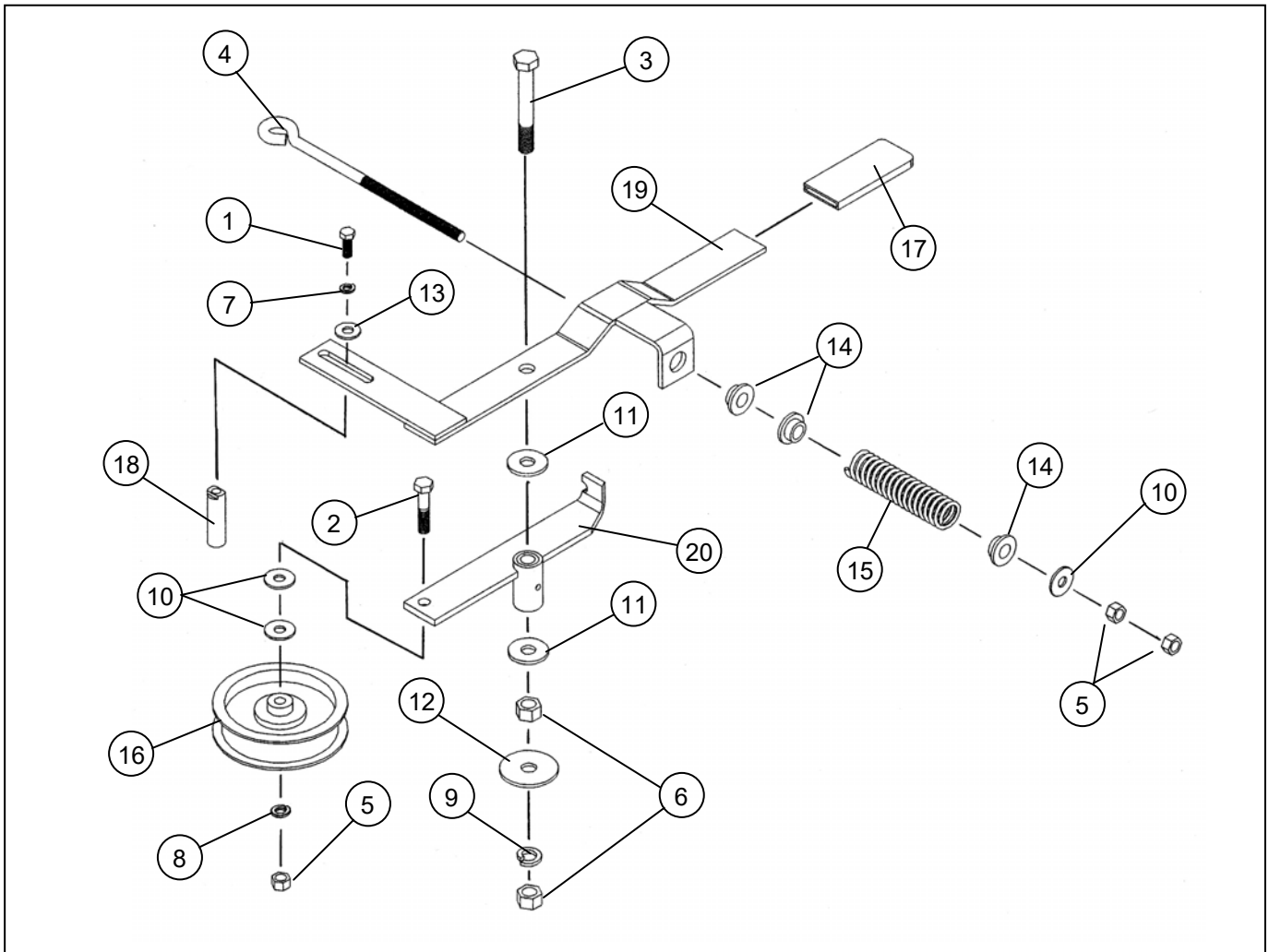
(See drawings below for additional parts)

<u>Item</u>	<u>Part #</u>	<u>Description</u>	<u>Qty.</u>
1	202134	Blade Bolt 3/8"-24NF x 7/8"	2
2	202135	Hex Head Bolt, 3/8" x 3" Fully Threaded	4
3	204000	Shoulder Bolt, 1/2" x 1-5/8" Shoulder Length	3
4	204003	Shoulder Bolt, 1/2" x 2" Shoulder Length	1
5	225000	Compression Spring, 1-1/2"L x 1-3/32" O.D. x .135" Wire dia. <b>(Clutch Drawing Below)</b>	1
6	225002	Compression Spring, 3"L x 23/32" O.D. x .055" Wire dia. <b>(Clutch Drawing Below)</b>	1
7	225005	Compression Spring, 4-1/2"L x 1-3/32" O.D. x .125" Wire dia. <b>(Clutch Drawing Below)</b>	1
8	226000	Plastic Wheel, 3" O.D. x 1/2" I.D. x 1-1/4" Wide	3
9	226001	Offset Wheel Assy., 13/500 x 6, 2 Ply Turf	2
10	226002	Centered Wheel Assy., 9/350 x 4, Flat Proof Urethane Foam	2
11	238003	"V" Belt, A Section, 65" O.C. Gates Power Rated 6865 (8HP Model)	1
11	238008	"V" Belt, B Section, 67" O.C. Gates Power Rated 6967 (10.5 & 12.5HP Models)	1
12	241001	Flat Idler, 4" O.D. x 3/8" Hole (Plastic Replaced with Steel)	1
13	241006	"V" Sheave, 5" Dia. 1" Bore (Upgrade to 241010)	~
13	241010	"V" Sheave, 5" Dia. 1" Bore	1
14	243008	Precision Sealed Wheel Bearings (1-3/8 O.D. x 3/4" I.D.)	8
15	258010	Spindle Assy. <b>(See Spindle Drawing Below)</b>	2
15	258013	Spindle Assy. <b>(See Spindle Drawing Below)</b>	2
15	258021	Spindle Assy. <b>(See Spindle Drawing Below)</b>	2
16	259000	Offset Mower Blade, 2" Wide, 20" Long, 3/8" Hole	2
17	269005	Throttle Control, Modified	1
18	269006	Throttle Wire	1
19	275002	Warning Decal General	1
19	275003	Danger Decal, Cut Finger	2
19	275006	Starting Instructions Decal	1
19	275007	Warning Decal, Belt Sheild	2
19	275011	Clutch Engagement Decal	1
19	275019	Name Decal, Kunz	1
19	275021	Name Decal, AcrEase (Replaces 275000, 275009 & 275017)	1
20	277002	Rubber Grommet	7
21	277011	Handle Grip	1
22	600059	Caster Axle	2
23	600071	Spacer, 1.38" O.D. x 1.33" Wall x 2.19" Long	1
24	600136	Brake Stud	1
25	600161	Throttle Support	1
26	600188	Caster Support Stop	2
27	600278	Engine Support Bracket (10.5 & 12.5HP Models)	1
27	900036	Engine Support Bracket (8HP Model) (Replace with 600278)	1
28	600076	L.H. Belt Shield (8HP Model)	1
28	600279	L.H. Belt Shield (10.5 & 12.5HP Models)	1
29	600077	R.H Belt Shield (Discharge Side) (8HP Model)	1
29	600280	R.H Belt Shield (Discharge Side) (10.5 & 12.5HP Models)	1
30	600303	Clutch Arm (10.5 & 12.5HP Model) <b>(Clutch Drawing Below)</b>	1
31	900005	Rear Axle	2
32	900021	Caster Support	2
33	900032	Mower Deck (Call to Order)	1
34	900033	Clutch Arm (8HP Model) <b>(Clutch Drawing Below)</b>	1
35	900035	Idler Arm Assy. (8HP Model) (Includes Bronze Bearing) <b>(Clutch Drawing Below)</b>	1
	243000	Bronze Bearing, 1/2"I.D. x 3/4" O.D. x 1-1/2" Long	1
36	900051	Depth Gage	1
37	900176	Idler Arm Assy. (10.5 & 12.5HP Model) (Includes Bronze Bearings) <b>(Clutch Drawing Below)</b>	1
	243005	Bronze Bearing, 1/2"I.D. x 3/4" O.D. x 3/4" Long (Requires 2)	2

# PARTS DRAWING FOR MODEL H40B

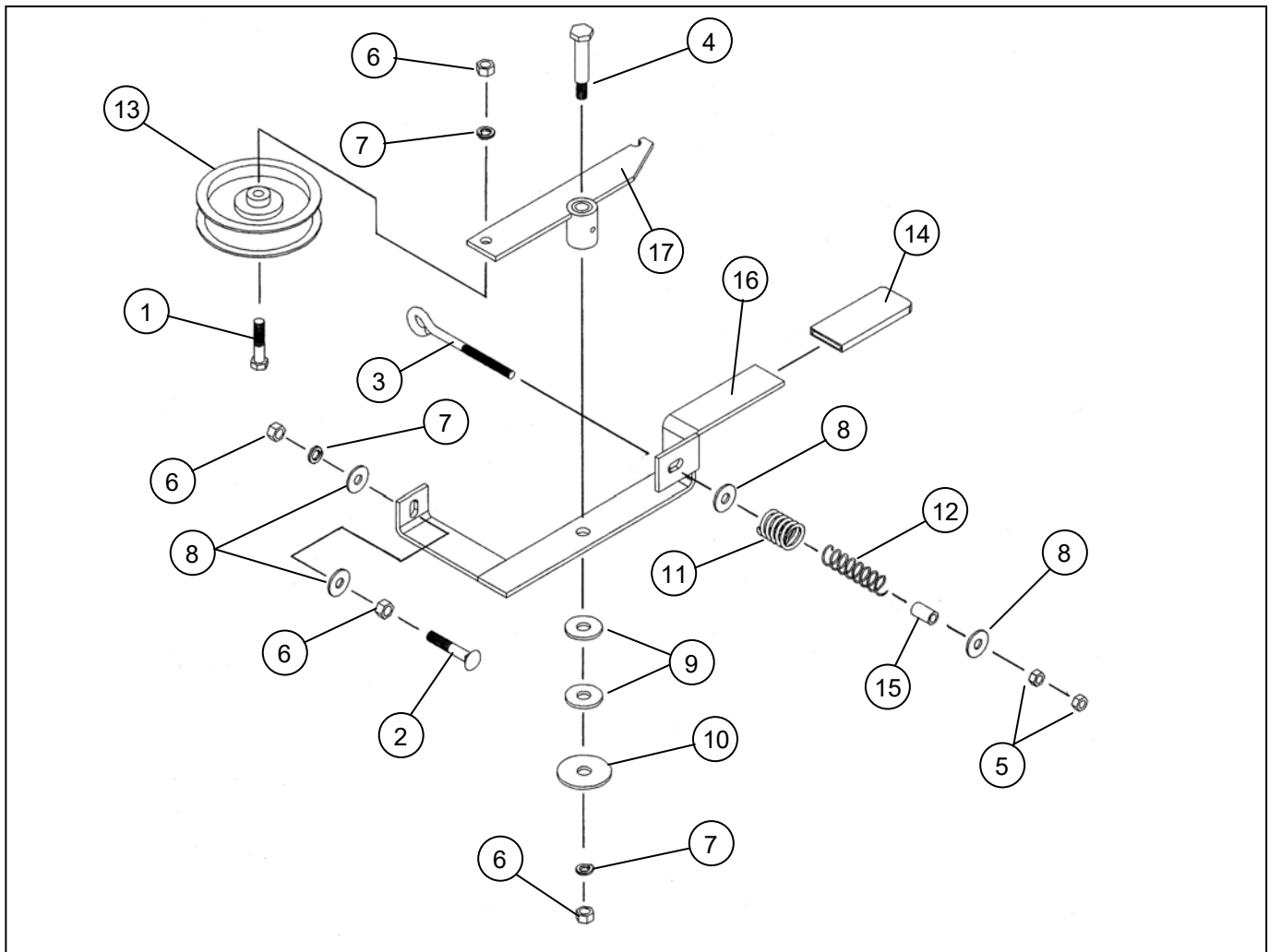


# CLUTCH BLADE ENGAGEMENT PARTS - (10.5-12.5HP MODELS)



<u>Item</u>	<u>Part #</u>	<u>Description</u>	<u>Qty.</u>
1	202019	Hex Head Bolt 5/16" x 3/4" Long	1
2	202041	Hex Head Bolt 3/8" x 1-3/4" Long	1
3	202063	Hex Head Bolt 1/2" x 3-1/2" Long	1
4	204016	Eye Bolt 3/8" x 8" Usable Length	1
5	212002	Hex Nut 3/8"	3
6	212003	Hex Nut 1/2"	2
7	214001	Lock Washer 5/16"	1
8	214002	Lock Washer 3/8"	1
9	214003	Lock Washer 1/2"	1
10	214005	Standard Flat Washer 3/8"	1
11	214006	Standard Flat Washer 1/2"	2
12	214009	Special Flat Washer (Drilled out to 17/32" Bore)	1
13	214017	Standard Flat Washer 5/16"	1
14	214027	Shoulder Washer - Nylon	3
15	225005	Compression Spring, 4.50" Long x 1-3/32" O.D. x .125" Wire dia.	1
16	241001	Flat Idler, 4" O.D. x 3/8" Hole	1
17	277011	Handle Grip	1
18	600136	Brake Stud	1
19	600303	Clutch Arm	1
20	900176	Idler Arm Assy. (Includes Bronze Bearings)	1
	243005	Bronze Bearing, 1/2" I.D. x 3/4" O.D. x .75" Long (Requires 2)	2

# CLUTCH BLADE ENGAGEMENT PARTS - (8HP MODEL)

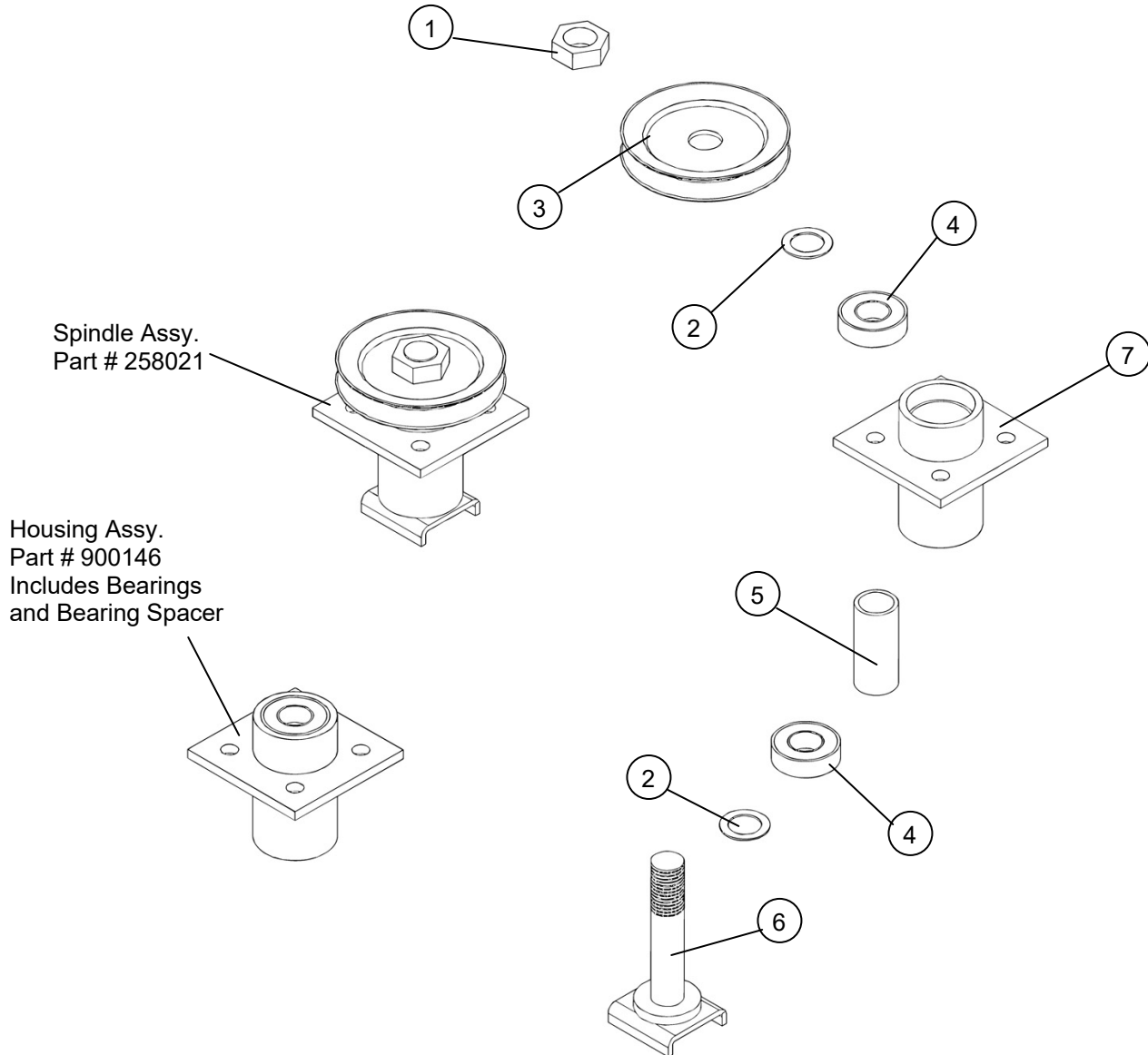


<u>Item</u>	<u>Part #</u>	<u>Description</u>	<u>Qty.</u>
1	202040	Hex Head Bolt 3/8" x 1-1/2" Long	1
2	202139	Carriage Bolt 3/8" x 2" Long	1
3	204002	Eye Bolt 5/16" x 4" Usable Length	1
4	204003	Shoulder Bolt, 1/2" x 2" Shoulder Length	1
5	212001	Hex Nut 5/16"	2
6	212002	Hex Nut 3/8"	3
7	214002	Lock Washer 3/8"	2
8	214005	Standard Flat Washer 3/8"	3
9	214006	Standard Flat Washer 1/2"	2
10	214009	Special Flat Washer 13/32"	1
11	225000	Compression Spring, 1-1/2"L x 1-3/32" O.D. x .135" Wire dia.	1
12	225002	Compression Spring, 3"L x 23/32" O.D. x .055" Wire dia.	1
13	241001	Flat Idler, 4" O.D. x 3/8" Hole (Plastic Replaced with Steel)	1
14	277011	Handle Grip	1
15	277012	Tube Space - Nylon 7/8" Long	1
16	900033	Clutch Arm	1
17	900035	Idler Arm Assy. (Includes Bronze Bearing)	1
	243000	Bronze Bearing, 1/2" I.D. x 3/4" O.D. x 1-1/2" Long	1

# PARTS BREAKDOWN FOR SPINDLE ASSY. (PART # 258021)

**Note:** All H40B Models with either a 10.5HP or 12.5HP engine were built with Spindle Assy. Part # 258021. These models have serial #'s ranging from (ignore the first two digits) xx10093 and greater but less than xx96034.

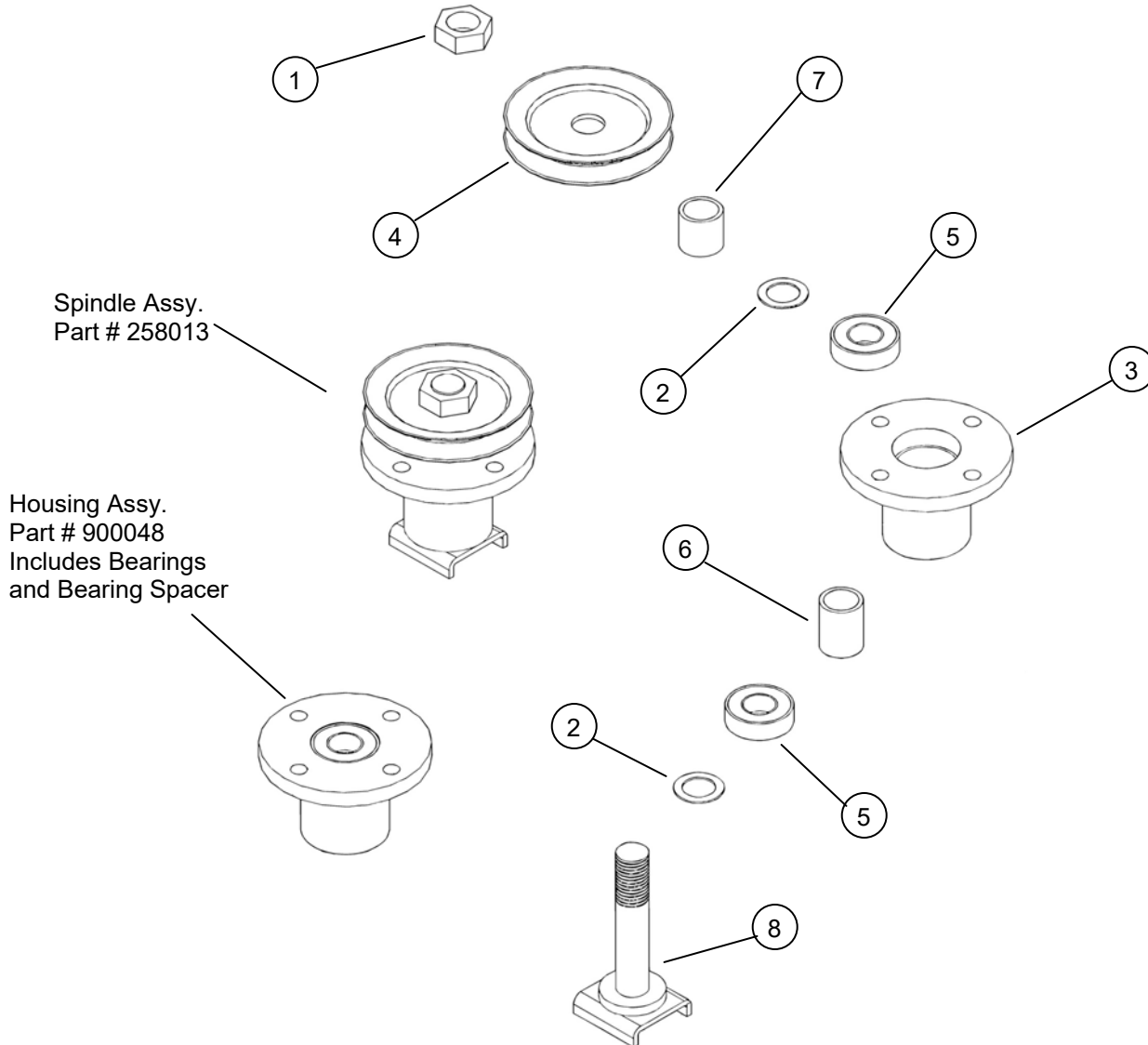
**Note:** If the serial number on your mower does not fall in the range listed above please see the following page (Spindle Assy. Part # 258013) to determine which spindle assy. is available for your mower.



<u>Item</u>	<u>Part #</u>	<u>Description</u>	<u>Qty.</u>
1	212010	Hex Jam Nut 1.00" - 14NF	2
2	214014	Machinery Washer 1.00" I.D. x 18 GA Thick	4
3	241007	"V" Sheave 5.25" Dia. - 25 mm Bore	2
4	243003	Bearing 6205 - 2RST	4
5	600235	Bearing Spacer	2
6	900045	Spindle Shaft	2
7	900145	Spindle Hub (Not Sold Separately, Purchase 900146)	~
	900146	Replacement Housing Assy.	2
	258021	Replacement Spindle Assy.	2

# PARTS BREAKDOWN FOR SPINDLE ASSY. (PART # 258013)

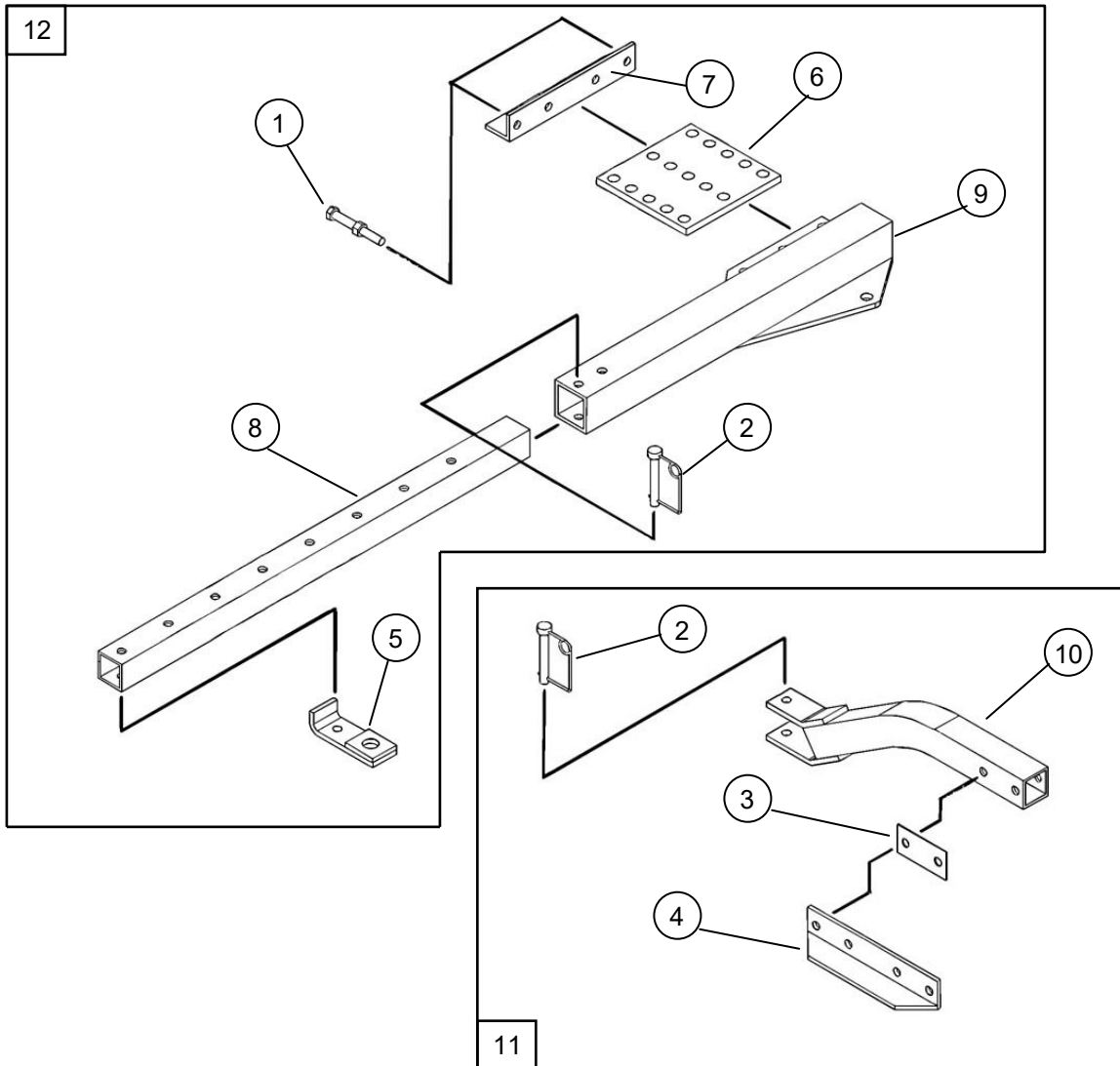
**Note:** All H40B Models with 8HP engines were built with either Spindle Assy. Part # 258010 or 258013. Models with serial #'s ranging from (ignore the first two digits) xx96034 to xx98100 were originally built with Spindle Assy. Part # 258010. Replacement parts no longer exist for Spindle Assy. Part # 258010. Replace with Spindle Assy. Part # 258013. Models with serial #'s ranging from (ignore the first two digits) xx98101 to xx99170 and xx00013 to xx03149 were originally built with Spindle Assy. Part # 258013.



<u>Item</u>	<u>Part #</u>	<u>Description</u>	<u>Qty.</u>
1	212010	Hex Jam Nut 1.00" - 14NF	2
2	214014	Machinery Washer 1.00" I.D. x 18 GA Thick	4
3	231001	Spindle Hub (Not Sold Separately, Purchase 900048)	~
4	241007	"V" Sheave 5.25" Dia. - 25 mm Bore	3
5	243003	Bearing 6205 - 2RST	4
6	600086	Bearing Spacer	2
7	600087	Pulley Spacer	2
8	900045	Spindle Shaft	2
	900048	Replacement Housing Assy. (Can be Upgraded to Part # 900146)	2
	258013	Replacement Spindle Assy. (Can be Upgraded to Part # 258021)	2

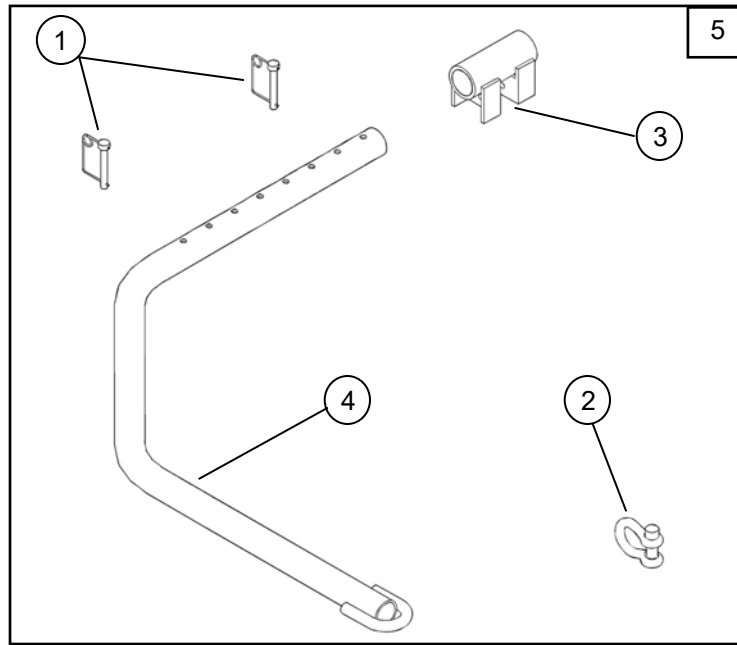
# LAWN & GARDEN HITCH PARTS

## (PART #'s 900013 & 900028)



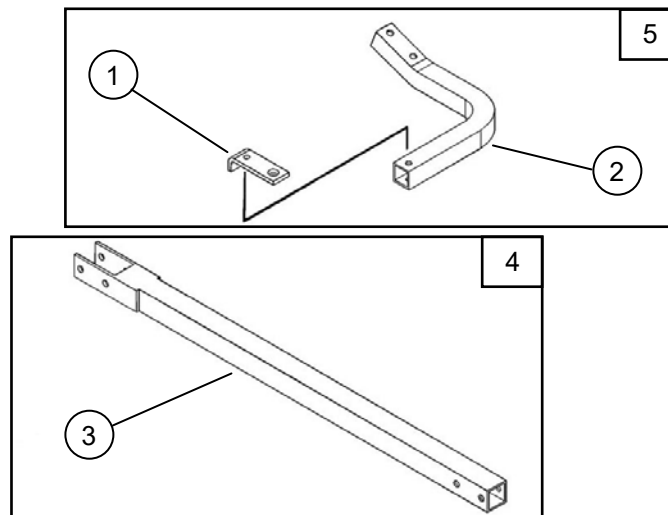
<u>Item</u>	<u>Part #</u>	<u>Description</u>	<u>Qty.</u>
1	202135	Hex Head Bolt, 3/8" x 3" Fully Threaded	2
2	216006	Wire Lock Pin, 3/8" x 2-1/4" Opening	2
3	600001	Spacer	1
4	600002	Tongue Pivot Angle	2
5	900050	Hitch Draw Bar	1
6	600044	Hitch Adaptor Plate	1
7	600009	Hitch Stop Angle	1
8	600043	Hitch Extension	1
9	900026	Telescope Hitch	1
10	900007	Short Tongue	1
11	900013	Short Tongue Assy.	1
12	900028	Hitch Assy. - Telescoping (Replaces Hitch Assy. 900014)	1

## ATV TONGUE PARTS (PART # 900084)



<u>Item</u>	<u>Part #</u>	<u>Description</u>	<u>Qty.</u>
1	216002	Wire Lock Pin .31" X 2.50"	2
2	216009	Screw Pin Shackle Clevis	1
3	900057	Hitch Pivot	1
4	900082	Tongue	1
5	900084	ATV Tongue Assy.	1

## OPTIONAL HITCH PARTS (PART #'s 900008 & 900009)



<u>Item</u>	<u>Part #</u>	<u>Description</u>	<u>Qty.</u>
1	600006	Hitch Flat (5/16" Mounting Hole)	1
2	600020	Rear Hitch Tube (Replace with Rear Hitch Assy. 900009)	1
3	900000	Long Tongue Extension (Replace with Long Tongue Assy. 900008)	1
4	900008	Long Tongue Assy.	1
5	900009	Rear Hitch Assy.	1



# MISCELLANEOUS PARTS

## AIR FILTERS, OIL FILTERS, BATTERY ETC.

<u>Part #</u>	<u>Description</u>	<u>Qty.</u>
257511	Air Filter (Filter Only Use 257512 Also), Briggs (698413) - Used on 12.5HP Briggs Intek (H40B-12.5HP)	1
257512	Pre-Cleaner (Use With 257511 Air Filter), Briggs (697292) - Used on 12.5HP Briggs Intek (H40B-12.5HP)	1
257532	Air Filter, Briggs (591583) - Used on 10.5HP Briggs Power Built Engines (H40B-10.5HP)	1

**Note:** Call for Air Filter and Pre-Cleaner Information for the 8HP Briggs PowerBuilt (H40B-8HP)