

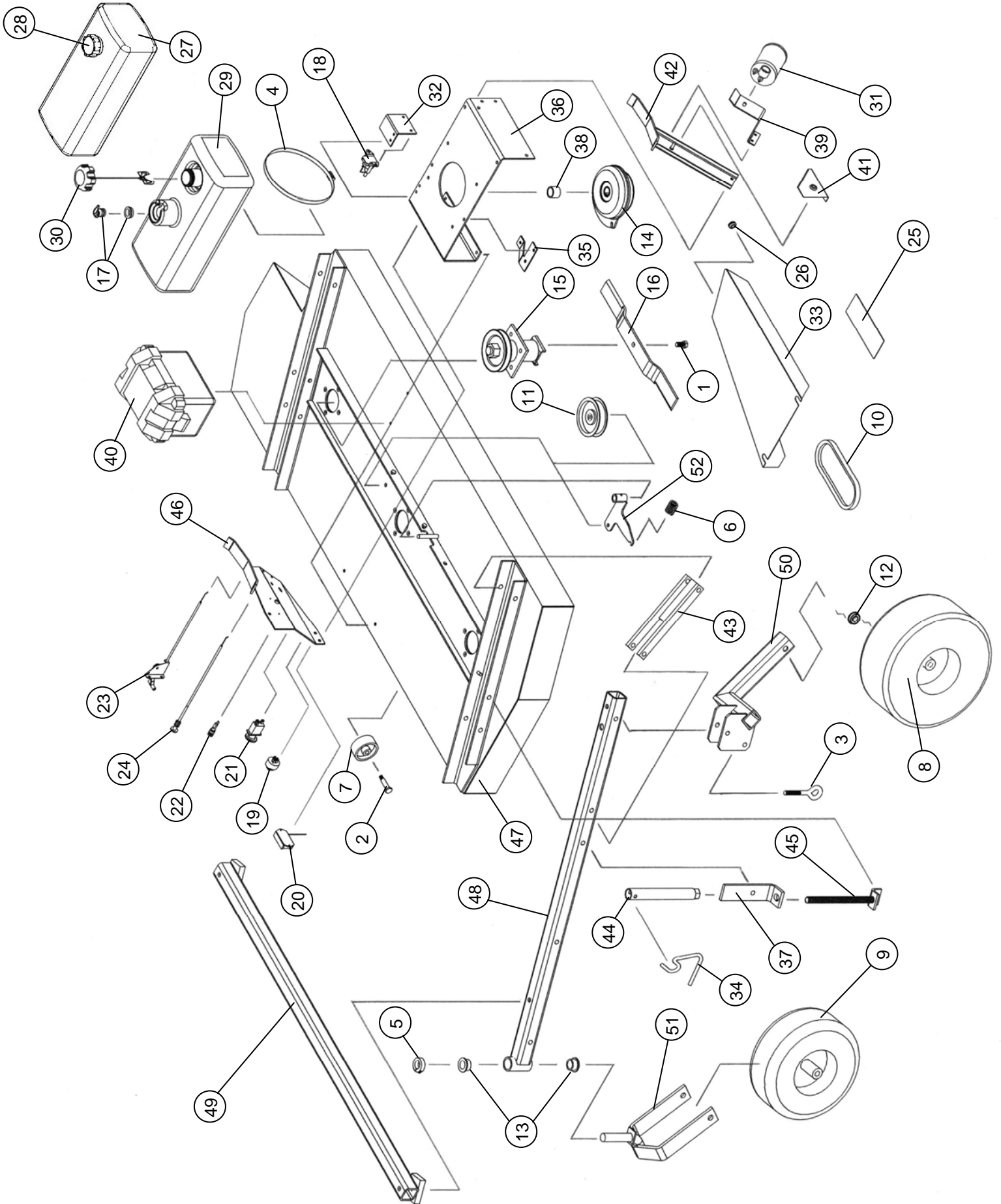
# MODELS Pro60K & Pro60V

(See drawings below for additional parts)

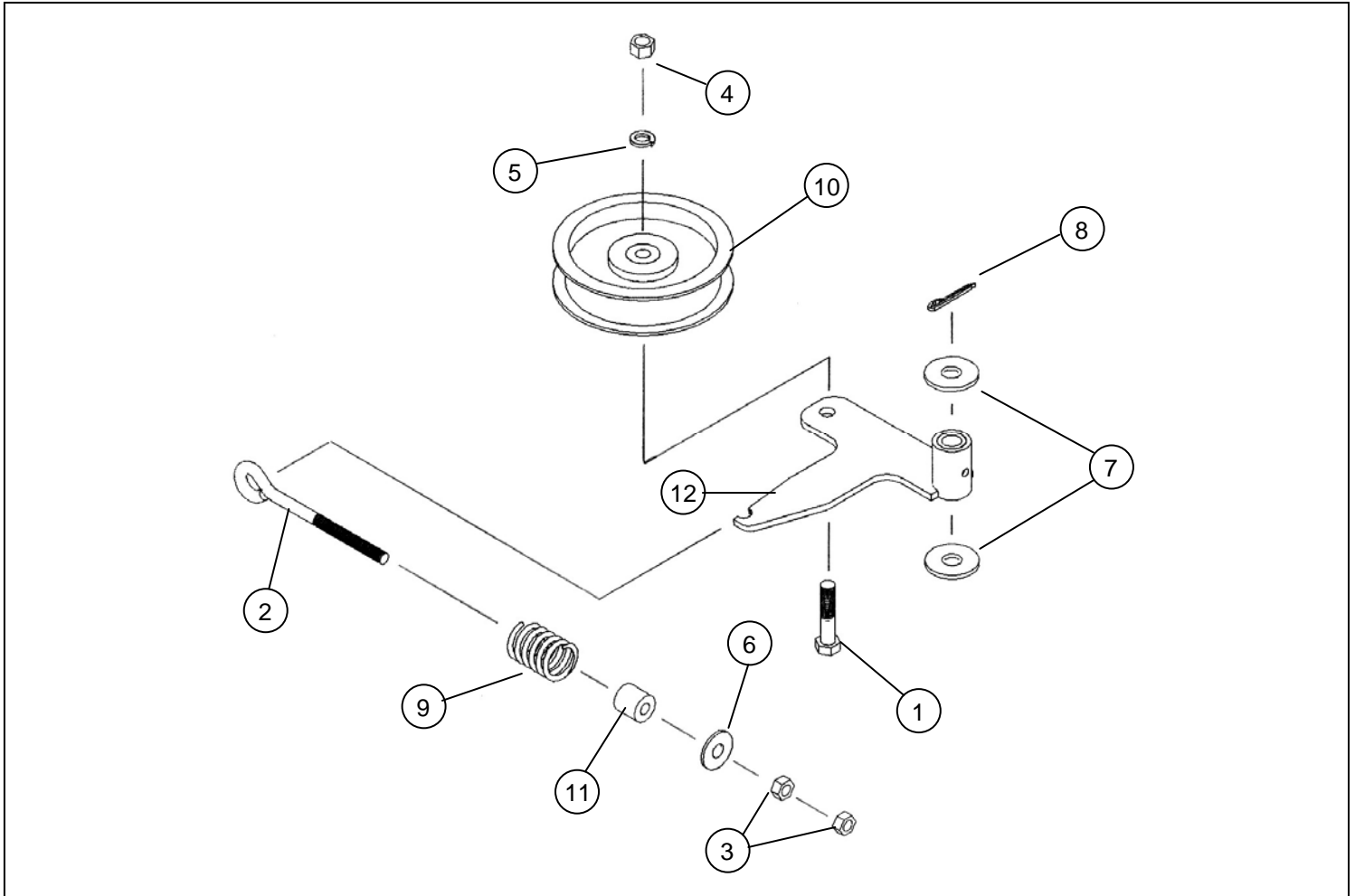
<u>Item</u>	<u>Part #</u>	<u>Description</u>	<u>Cost</u>
1	202136	Blade Bolt, 1/2"-20NF x 1"	\$0.69
2	204000	Shoulder Bolt, 1/2" x 1-5/8" Shoulder Length	\$2.19
3	204015	Eye Bolt (Welded)	\$3.00
4	222005	Worm Drive Hose Clamp (7-7/8" to 9-1/8" Clamping Dia.	\$7.62
5	222012	Single Split Collar (1" I.D. x .1/2" Thick)	\$3.09
6	225000	Compression Spring, 1-1/2"L x 1-3/32" O.D. x .135" Wire dia. ( <b>Belt Tensioner Drawing Below</b> )	\$3.57
7	226000	Plastic Wheel, 3" O.D. x 1/2" I.D. x 1-1/4" Wide	\$1.67
8	226003	Offset Wheel Assy., 15/600 x 6, 4 Ply Turf ( <b>See Wheel Assy. Drawing Below</b> )	~
9	226007	Centered Wheel Assy., 13/500 x 6, 4 Ply Slick ( <b>See Wheel Assy. Drawing Below</b> )	~
10	238002	"V" Belt, B Section, 127" O.C. Carlisle/Dayco B124 Super II	\$49.05
11	241001	Flat Idler, 4" O.D. x 3/8" Hole (Plastic Replaced with Steel)	\$14.55
12	243007	Precision Sealed Wheeled Bearings (1-3/8" O.D. x 5/8" I.D.)	\$3.45
13	243010	Plastic Bearing (1-3/8" O.D. x 1.00" I.D., Flange, Nylon)	\$0.90
14	258018	Electric Clutch (200 ft-lb, 5" "V" Sheave, 1" Bore) (Model Pro60V)	\$273.18
	235062	Clutch Cable Assembly (1) (On 258018 Clutch Only)	\$14.07
14	258019	Electric Clutch (125 ft-lb, 5" "V" Sheave, 1" Bore) (Model Pro60K)	\$215.61
15	258020	Spindle Assy. ( <b>See Spindle Drawing Below</b> )	~
16	259001	Offset Mower Blade, 2" Wide, 20" Long, 1/2" Hole	\$16.59
17	260004	Roll-Over / Fuel Vapor Valve (Includes Gromet)	\$7.44
18	264000	Solenoid	\$22.65
19	264001	Ignition Switch (Model Pro60K)	\$16.02
19	264010	Ignition Switch (Model Pro60V)	\$13.23
20	264003	Hour/Tack Meter	\$50.00
21	264005	PTO Switch	\$20.70
22	264006	Fuse Holder (10 Amp Fuse)	\$6.75
	264007	Fuse (10 Amp)	\$1.56
23	269001	Throttle Control, 15" (Model Pro60K)	\$9.66
23	269009	Throttle Control, 27" (Model Pro60V)	\$10.38
24	269004	Choke Control, 14" (Model Pro60K)	\$7.02
24	269010	Choke Control, 27" (Model Pro60V)	\$7.44
25	275001	Control Panel Decal, Starting Instructions	\$2.82
25	275002	Warning Decal General	\$1.53
25	275003	Danger Decal, Cut Finger	\$0.91
25	275007	Warning Decal, Belt Sheild	\$0.98
25	275019	Name Decal, Kunz	\$1.86
25	275021	Name Decal, AcrEase	\$1.98
25	275023	Name Decal, 60" Finish Cut	\$1.59
26	277002	Rubber Grommet	\$0.29
27	277010	Fuel Tank, 3-3/4 Gal. Plastic (Replace with 277034 and Use 277013)	~
28	277013	Gas Cap - Venting Style (For Fuel Tank 277010 and with Fuel Tank 277035 Without Vent Hose)	\$6.51
29	277034	Fuel Tank, 3 Gal. (Replaces Fuel Tank 277010)	\$101.71
		<i>Note: Fuel Tank 277034 is an EPA Certified Component . Only Replace with Fuel Tank 277034.</i>	
30	277035	Gas Cap - Audible Click/Tethered, Non-Venting (Only Use with Fuel Tanks with Vent Hose)	\$15.39
		<i>Note: Gas Cap 277035 is an EPA Certified Component . Only Replace with Gas Cap 277035.</i>	
31	277036	Carbon Canister - 300cc (California Only)	\$36.00
		<i>Note: Canister 277036 is an EPA Certified Component . Only Replace with Canister 277036.</i>	
32	600048	Solenoid Support	\$5.81

<u>Item</u>	<u>Part #</u>	<u>Description</u>	<u>Cost</u>
33	600062	Belt Sheild L.H.	\$26.67
33	600063	Belt Sheild R.H. (Discharge Side)	\$26.67
34	600146	Crank Arm (Includes Press-on Nut)	\$3.99
35	600198	Clutch Stop	\$5.25
36	600201	Engine Support Bracket	\$64.53
37	600212	Upper Pivot Support	\$10.85
38	600229	Tube Spacer (Clutch)	\$2.80
39	600291	Canister Support (California Only)	\$7.35
40	900049	Battery Box Assy.	\$31.05
	264004	Battery (12V AGM Sealed)	\$64.36
41	900051	Depth Gage	\$11.41
42	900052	Tank Support	\$18.73
43	900061	Pivot Arm	\$17.22
44	900062	Height Adjust Nut	\$12.06
45	900066	Screw Adjuster	\$19.89
46	900111	Control Panel	\$23.88
47	900122	Mower Deck (Call to Order)	~
48	900123	Carrier Arm	\$104.58
49	900124	Cross Brace Tube	\$80.94
50	900125	Rear Wheel Support	\$79.95
51	900148	Caster Fork (Includes 1" Washers)	\$28.62
52	900182	Idler Arm Assy. (Includes Bronze Bearing)(Replaces 900025) ( <b><i>Belt Tensioner Drawing Below</i></b> )	\$17.19
	243000	Bronze Bearing, 1/2" I.D. x 3/4" O.D. x 1-1/2" Long	\$3.93

# PARTS DRAWING FOR MODELS Pro60K & Pro60V

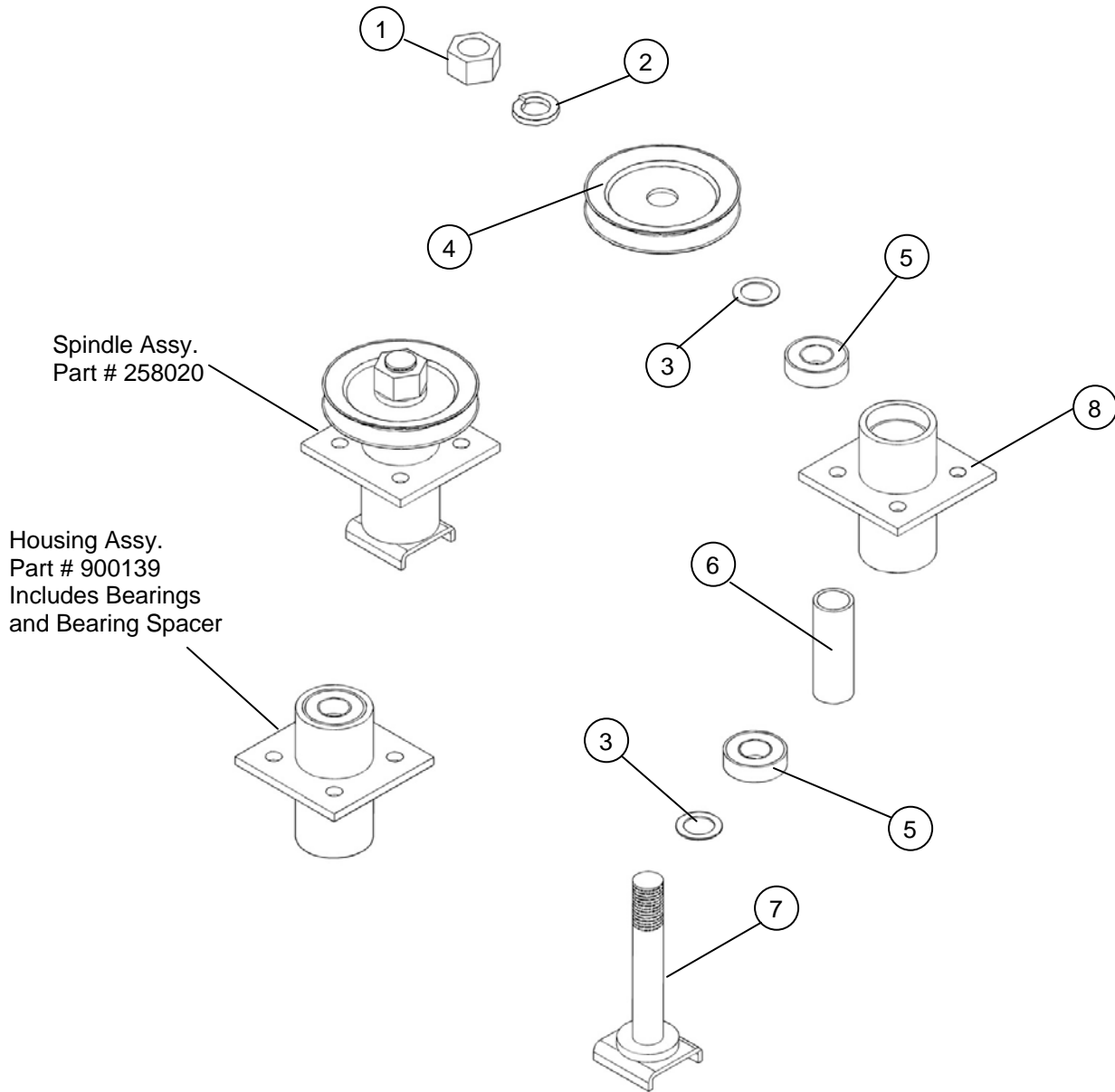


# BELT TENSIONER (IDLER ARM) PARTS



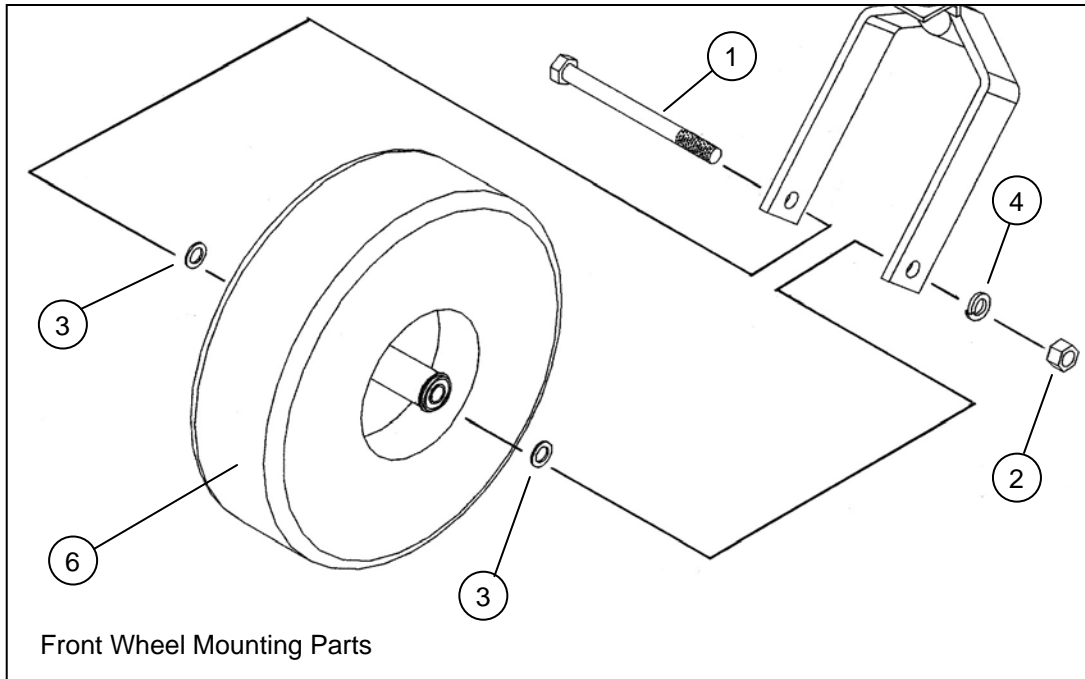
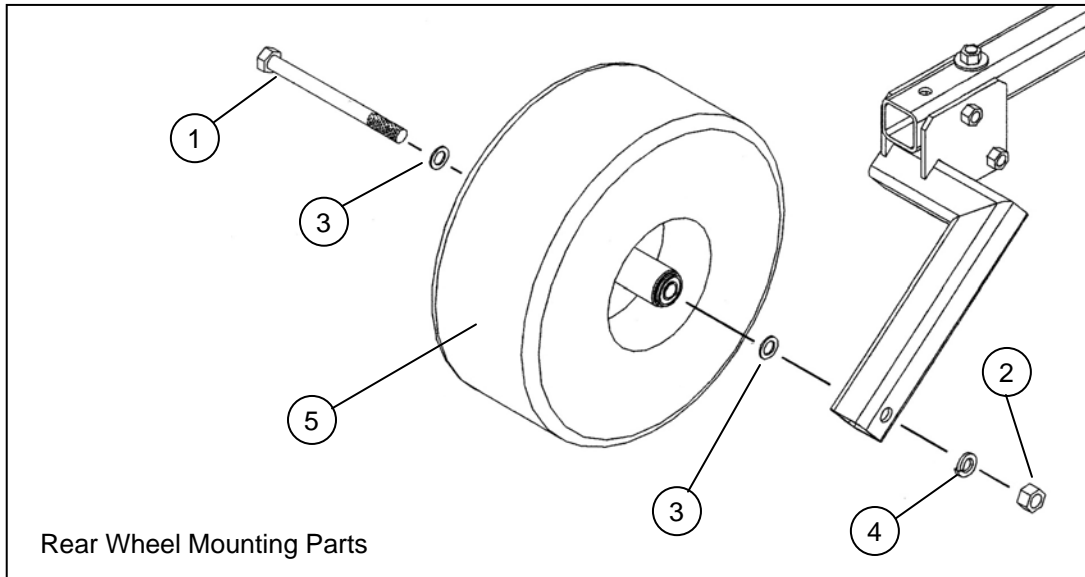
<u>Item</u>	<u>Part #</u>	<u>Description</u>	<u>Cost</u>
1	202040	Hex Head Bolt 3/8" x 1-1/2" Long	\$0.36
2	204002	Eye Bolt 5/16" x 4" Usable Length	\$1.56
3	212001	Hex Nut 5/16"	\$0.06
4	212002	Hex Nut 3/8"	\$0.06
5	214002	Lock Washer 3/8"	\$0.06
6	214005	Standard Flat Washer 3/8"	\$0.06
7	214006	Standard Flat Washer 1/2"	\$0.15
8	215000	Cotter Pin, .156" x 1.00" Long	\$0.06
9	225000	Compression Spring, 1.50" Long x 1-3/32" O.D. x .135" Wire dia.	\$3.57
10	241001	Flat Idler, 4" O.D. x 3/8" Hole (Replaced with Steel)	\$14.55
11	277004	Tube Spacer - Nylon 3/4" Long	\$0.18
12	900182	Idler Arm Assy. (Includes Bronze Bearing) (Replaces 900025)	\$17.19
	243000	Bronze Bearing, 1/2" I.D. x 3/4" O.D. x 1.50" Long	\$3.93

# PARTS BREAKDOWN FOR COMMERCIAL SPINDLE ASSY. (PART # 258020)



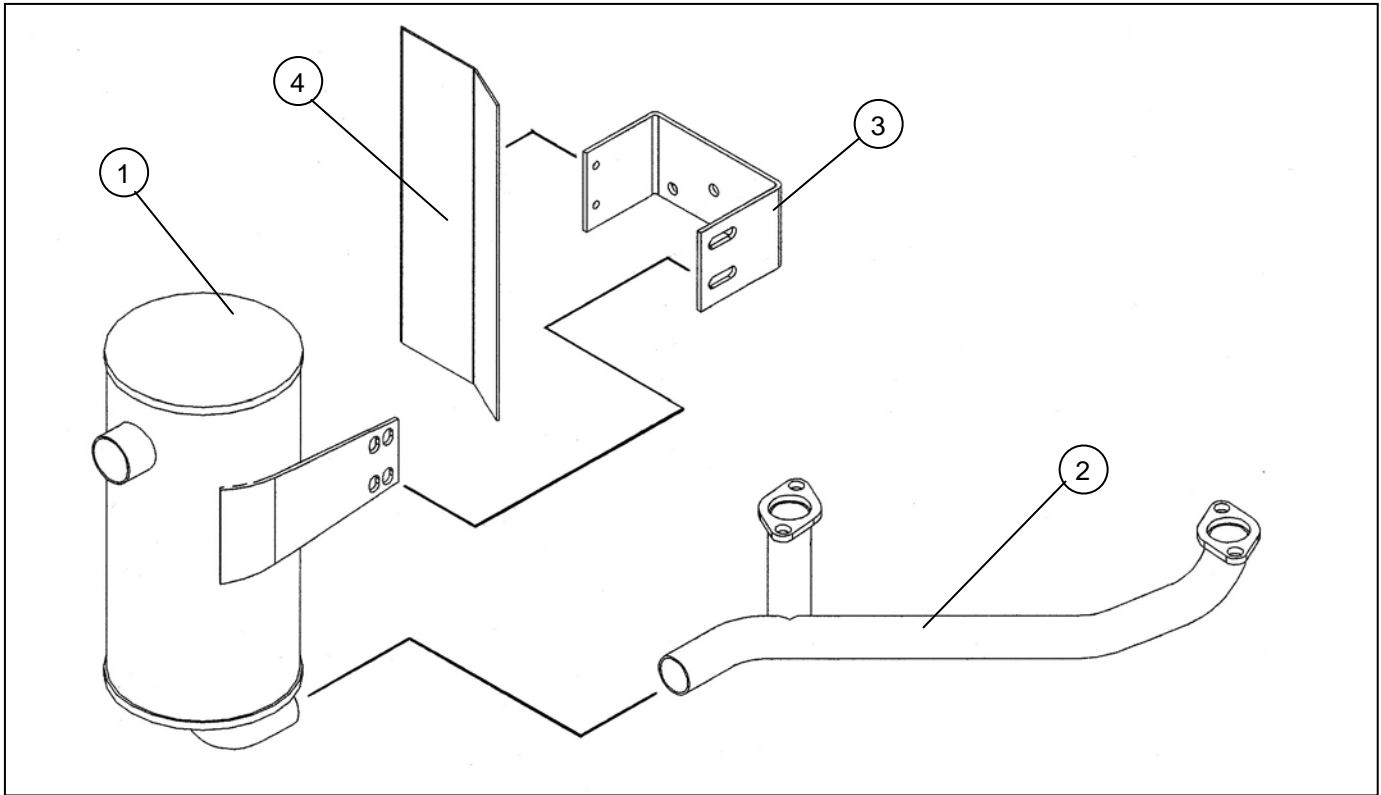
<u>Item</u>	<u>Part #</u>	<u>Description</u>	<u>Cost</u>
1	212009	Std. Hex Nut 1.00" - 14NF	\$2.31
2	214013	Split Lock Washer 1.00"	\$0.60
3	214014	Machinery Washer 1.00" I.D. x 18 GA Thick	\$0.21
4	241007	"V" Sheave 5.25" Dia. - 25 mm Bore	\$12.75
5	243003	Bearing 6205 - 2RST	\$7.35
6	600204	Bearing Spacer	\$10.50
7	900046	Spindle Shaft	\$33.39
8	900121	Spindle Hub (Not Sold Separately, Purchase 900139)	~
	900139	Replacement Housing Assy.	\$80.52
	258020	Replacement Spindle Assy.	\$126.48

# WHEEL ASSEMBLIES AND MOUNTING PARTS



<u>Item</u>	<u>Part #</u>	<u>Description</u>	<u>Cost</u>
1	202140	Hex Head Bolt 5/8" x 7.5"	\$5.04
2	212013	Hex Nut - 5/8"	\$0.30
3	214018	Machinery Washer 5/8" I.D. x 1" O.D.	\$0.15
4	214020	Lock Washer - 5/8"	\$0.15
5	226003	Offset Wheel Assy. (15/600 x 6, 4 Ply Turf) (Includes Tire, Rim & Bearings)	\$84.00
	226006	Tire - Replacement (15/600 x 6, 4 Ply Turf)	\$40.64
	243007	Precision Sealed Wheel Bearings (1-3/8" O.D. x 5/8" I.D.)	\$3.45
6	226007	Centered Wheel Assy. (13/500 x 6, 4 Ply Slick) (Includes Tire, Rim & Bearings)	\$54.21
	243007	Precision Sealed Wheel Bearings (1-3/8" O.D. x 5/8" I.D.)	\$3.45

## Pro60V EXHAUST PARTS – 23HP VANGUARD



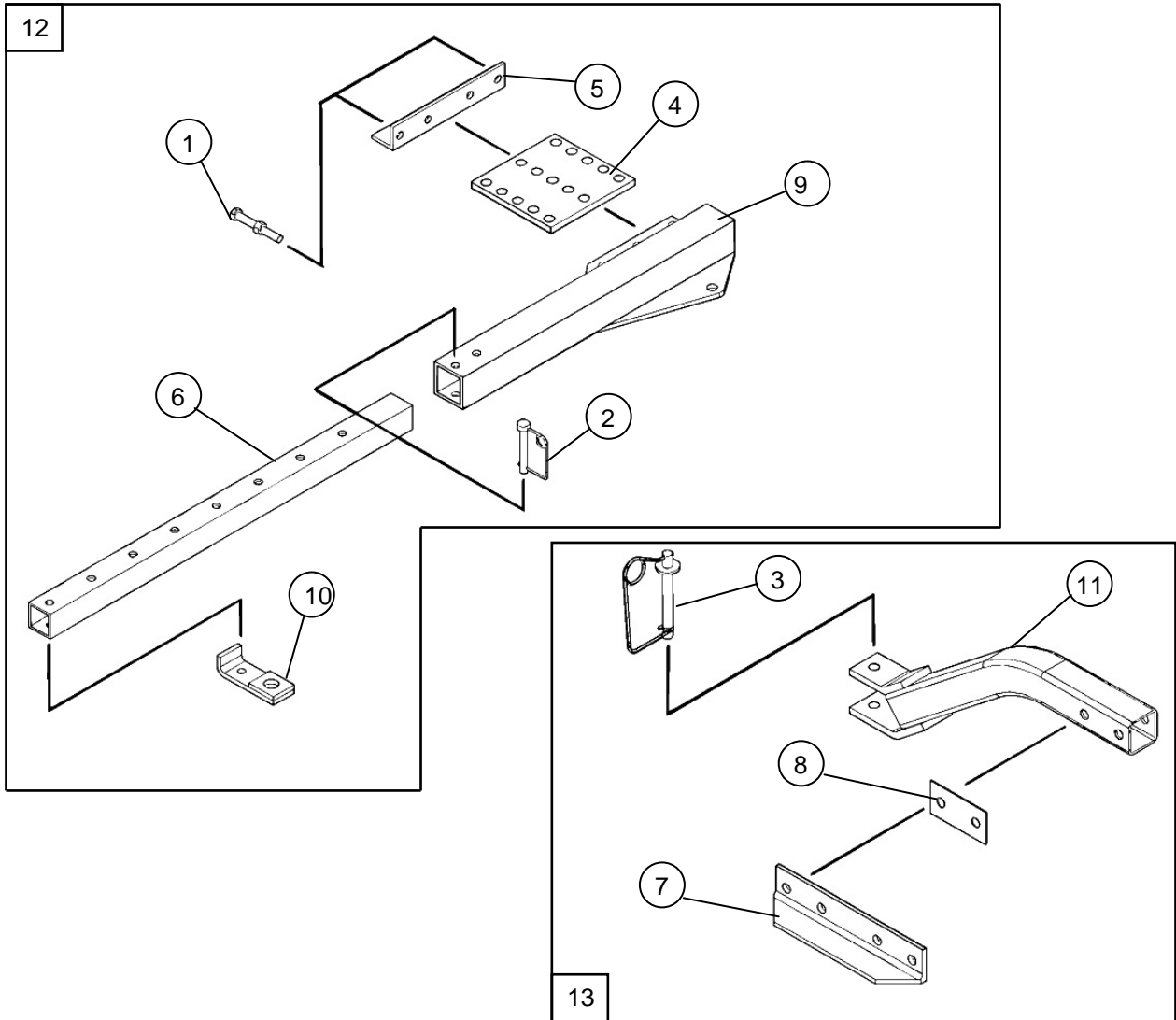
<u>Item</u>	<u>Part #</u>	<u>Description</u>	<u>Cost</u>
1	257505	Muffler - 5" (Used on 23HP Briggs Vanguard and Briggs Intek Engines)	\$73.02
2	257509	Manifold (Used on 23HP Briggs Vanguard Engines)	\$36.18
3	600284	Muffler Bracket	\$8.76
4	600285	Heat Deflector	\$8.16

### AIR FILTERS, OIL FILTERS, BATTERY ETC.

<u>Part #</u>	<u>Description</u>	<u>Cost</u>
257500	Oil Filter, Kohler (12-050-01-S) - Used on 18HP Kohler Command Engines	\$10.25
257503	Oil Filter, Kohler (52-050-02-S) - Replace with 257500	~
257507	Air Filter (Filter Only Use 257508 Also), Kohler (12-083-10-S) - Used on 18HP Kohler Command Engines	\$13.30
257508	Pre-Cleaner (Use with 257507 Air Filter), Kohler (12-083-12-S) - Used on 18HP Kohler Command Engines	\$3.05
257016	Oil Filter, Briggs (492932S) - All Briggs Models With Oil Filter	\$9.25
257517	Air Filter (Filter Only Use 257518 Also), Briggs (692519) - Used on 23HP Briggs Vanguard	\$13.75
257518	Pre-Cleaner (Use With 257517 Air Filter), Briggs (692520) - Used on 23HP Briggs Vanguard	\$4.95
264004	Battery (12V AGM Sealed)	\$64.36
277025	Tire Sealer - 32 oz Bottle (Each Tire Requires 16 oz)	\$17.99

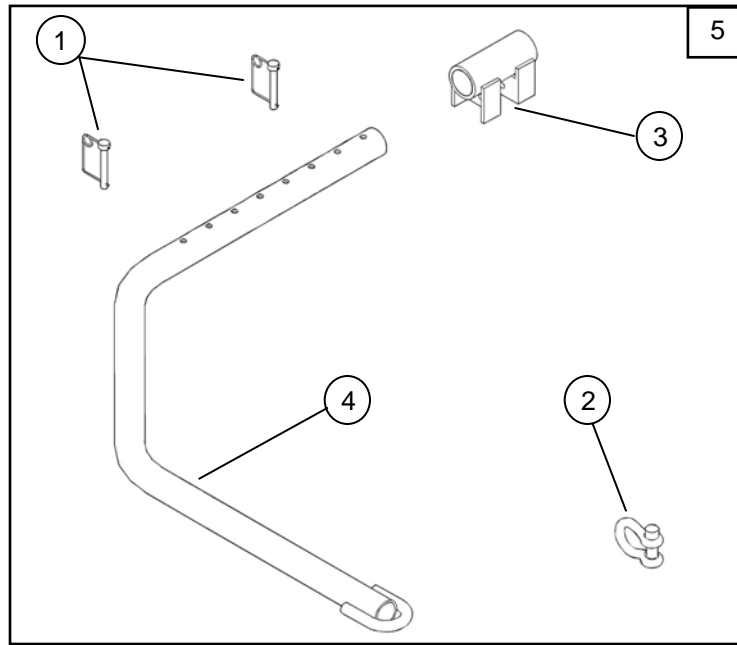
# LAWN & GARDEN HITCH PARTS

## (PART #'s 900138 & 900028)



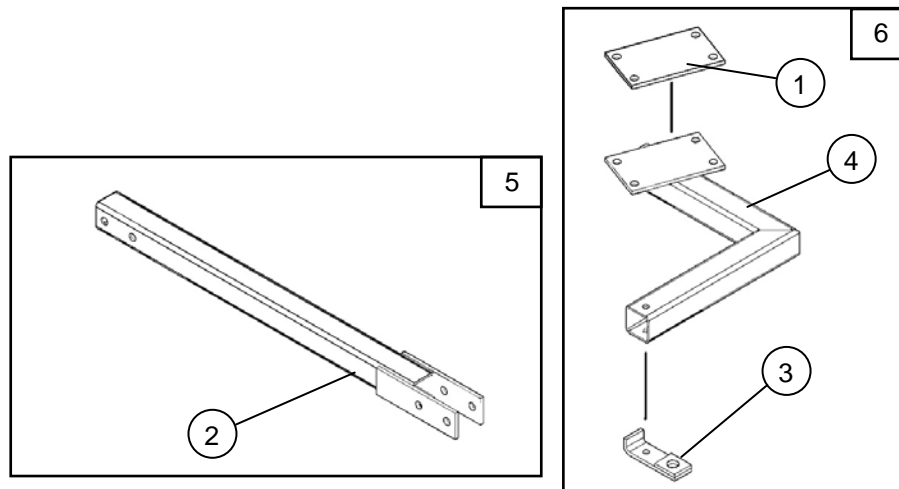
<u>Item</u>	<u>Part #</u>	<u>Description</u>	<u>Cost</u>
1	202135	Hex Head Bolt, 3/8" x 3" Fully Threaded	\$0.78
2	216006	Wire Lock Pin, 3/8" x 2-1/4" Opening	\$4.77
3	216011	Wire Lock Pin, 1/2" x 3-1/2" Opening	\$6.99
4	600044	Hitch Adaptor Plate	\$15.26
5	600009	Hitch Stop Angle	\$5.07
6	600043	Hitch Extension	\$14.67
7	600219	Tongue Pivot Angle	\$14.63
8	600228	Spacer	\$1.93
9	900026	Telescope Hitch	\$69.06
10	900050	Hitch Draw Bar	\$5.11
11	900130	Short Tongue	\$53.38
12	900028	Hitch Assy. - Telescoping	\$95.00
13	900138	Short Tongue Assy.	\$66.00

## ATV TONGUE PARTS (PART # 900083)



<u>Item</u>	<u>Part #</u>	<u>Description</u>	<u>Cost</u>
1	216002	Wire Lock Pin .31" X 2.50"	\$4.77
2	216009	Screw Pin Shackle Clevis	\$10.50
3	900058	Hitch Pivot	\$39.15
4	900082	Tongue	\$85.92
5	900083	ATV Tongue Assy.	\$110.00

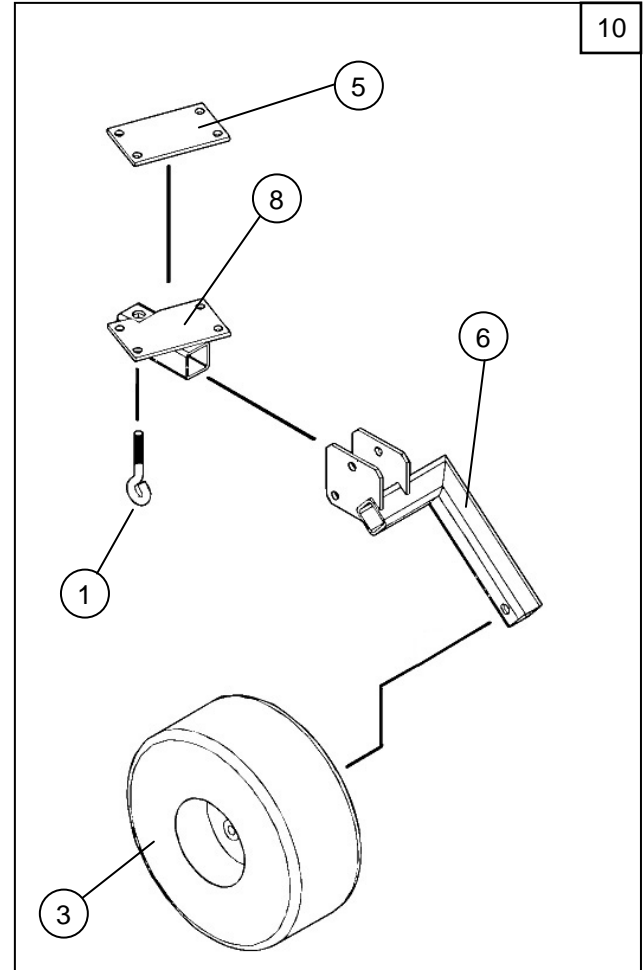
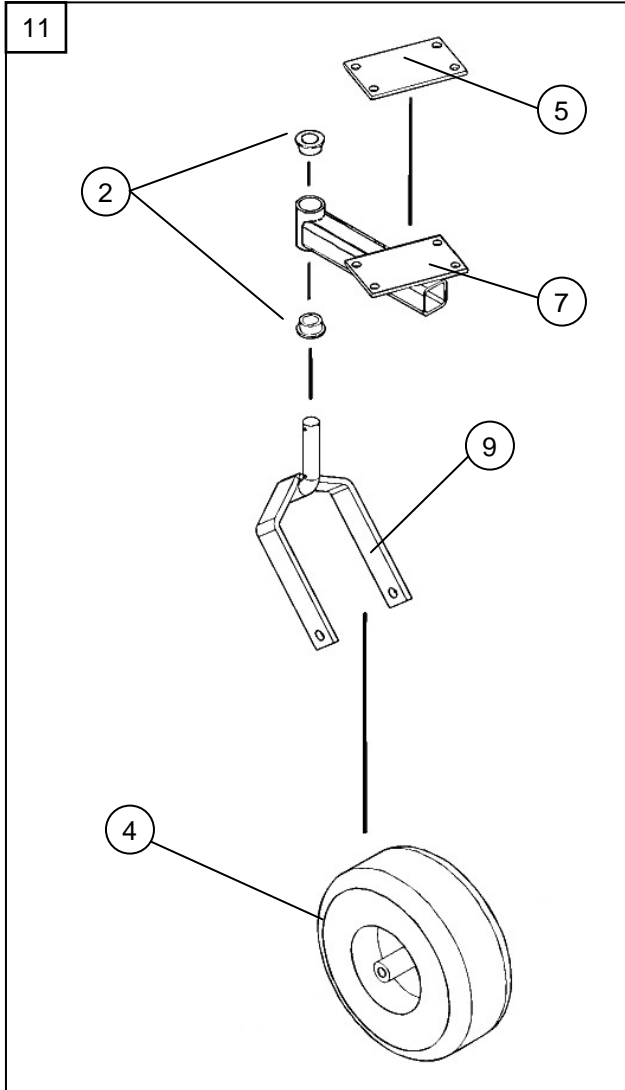
## OPTIONAL HITCH PARTS (PART #'s 900136 & 900137)



<u>Item</u>	<u>Part #</u>	<u>Description</u>	<u>Cost</u>
1	600195	Clamping Flat	\$9.35
2	900131	Long Tongue Extension (Replace With Long Tongue Assy. 900136)	~
3	900132	Hitch Draw Bar	\$5.60
4	900133	Rear Hitch	\$59.76
5	900136	Long Tongue Assy.	\$39.00
6	900137	Rear Hitch Assy.	\$63.00

# OPTIONAL FLOATATION KIT PARTS

## (PART #'s 003910 & 003911)



<u>Item</u>	<u>Part #</u>	<u>Description</u>	<u>Cost</u>
1	204015	Eye Bolt (Welded)	\$3.00
2	243010	Plastic Bearing (1-3/8" O.D. x 1.00" I.D., Flange, Nylon)	\$0.90
3	226003	Offset Wheel Assy., 15/600 x 6, 4 Ply Turf ( <b>See Wheel Assy. Drawing Above</b> )	~
4	226007	Centered Wheel Assy., 13/500 x 6, 4 Ply Slick ( <b>See Wheel Assy. Drawing Above</b> )	~
5	600195	Clamping Flat	\$9.35
6	900125	Rear Wheel Support	\$79.96
7	900134	Caster Support	\$54.63
8	900135	Rear Wheel Mount	\$35.19
9	900148	Caster Fork	\$28.62
	222012	Single Split Collar (1" I.D. x .1/2" Thick)	\$3.09
10	003910	Rear Floatation Kit	\$155.00
11	003911	Front Floatation Kit	\$130.00